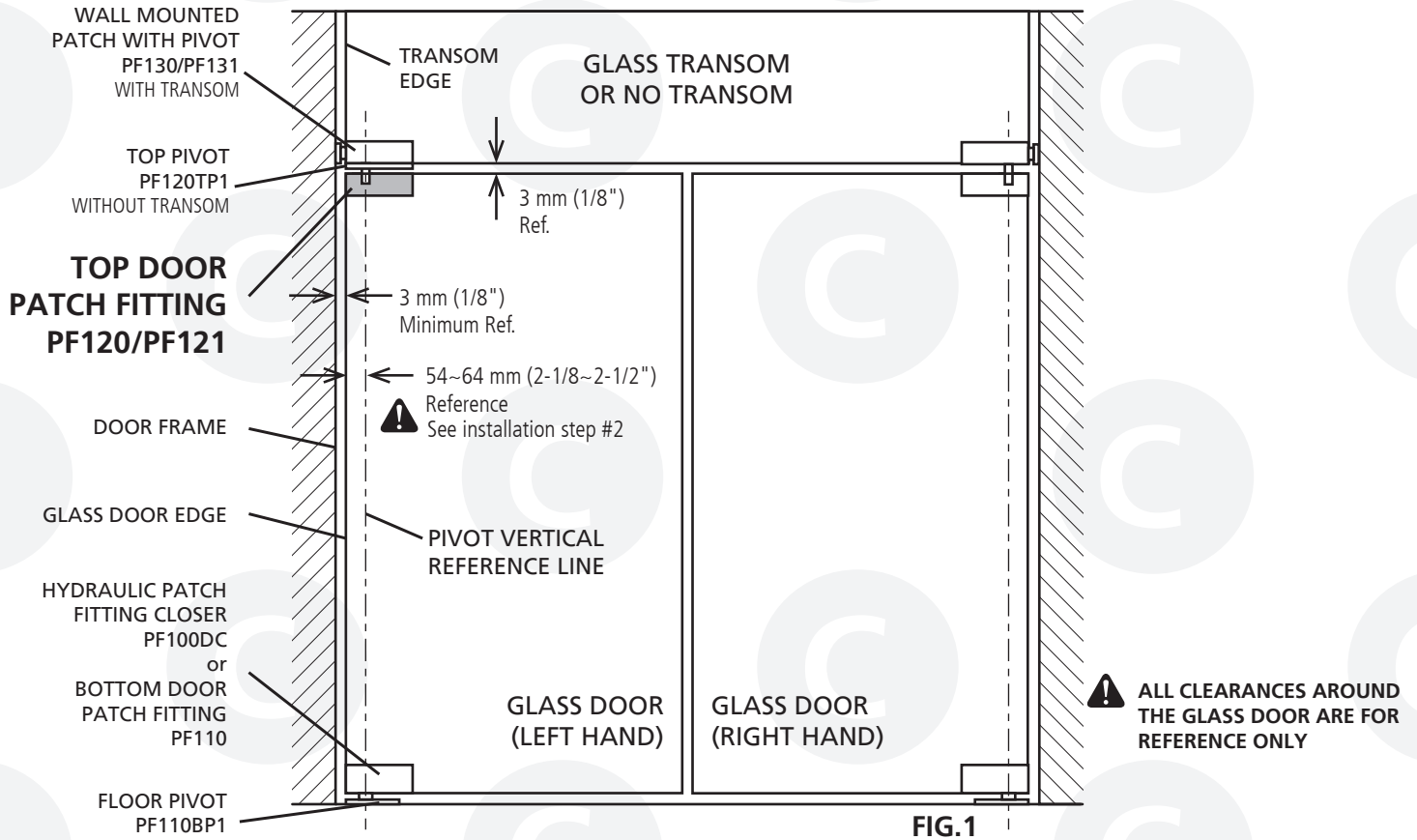


PF120/PF121 TOP DOOR PATCH FITTING INSTALLATION INSTRUCTIONS

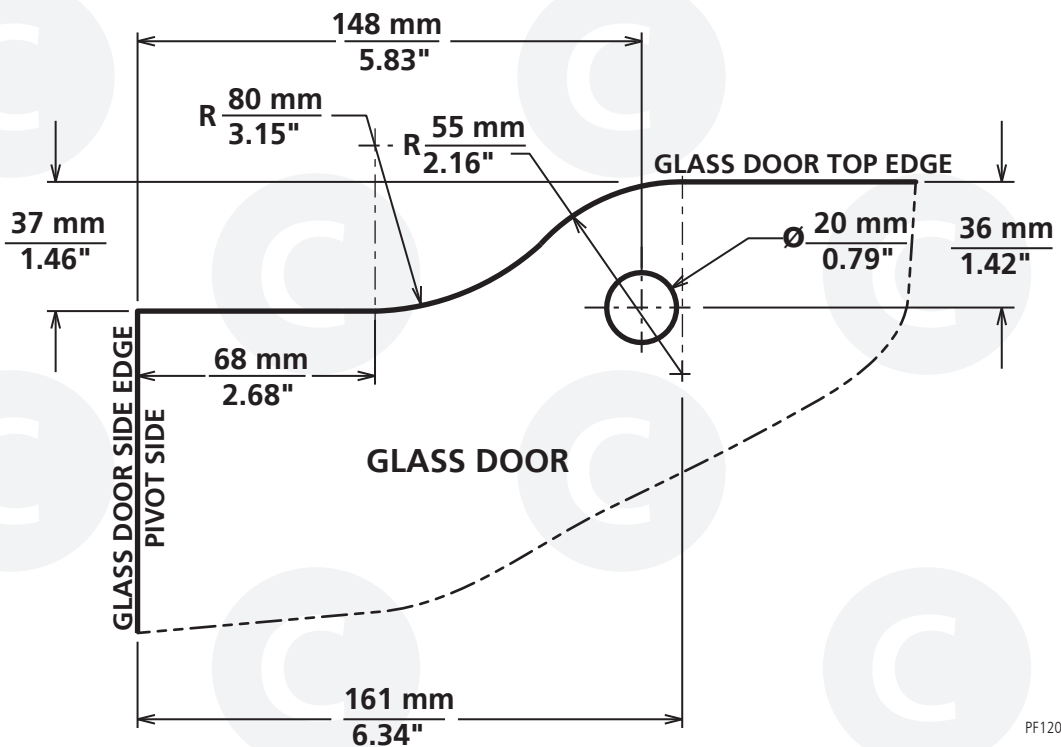
DOOR THICKNESS: 8 mm to 12.7 mm (5/16" to 1/2")
 DOOR WIDTH: MAX. 1000 mm (39-3/8")
 DOOR WEIGHT: MAX. 100 kg (220 lbs)



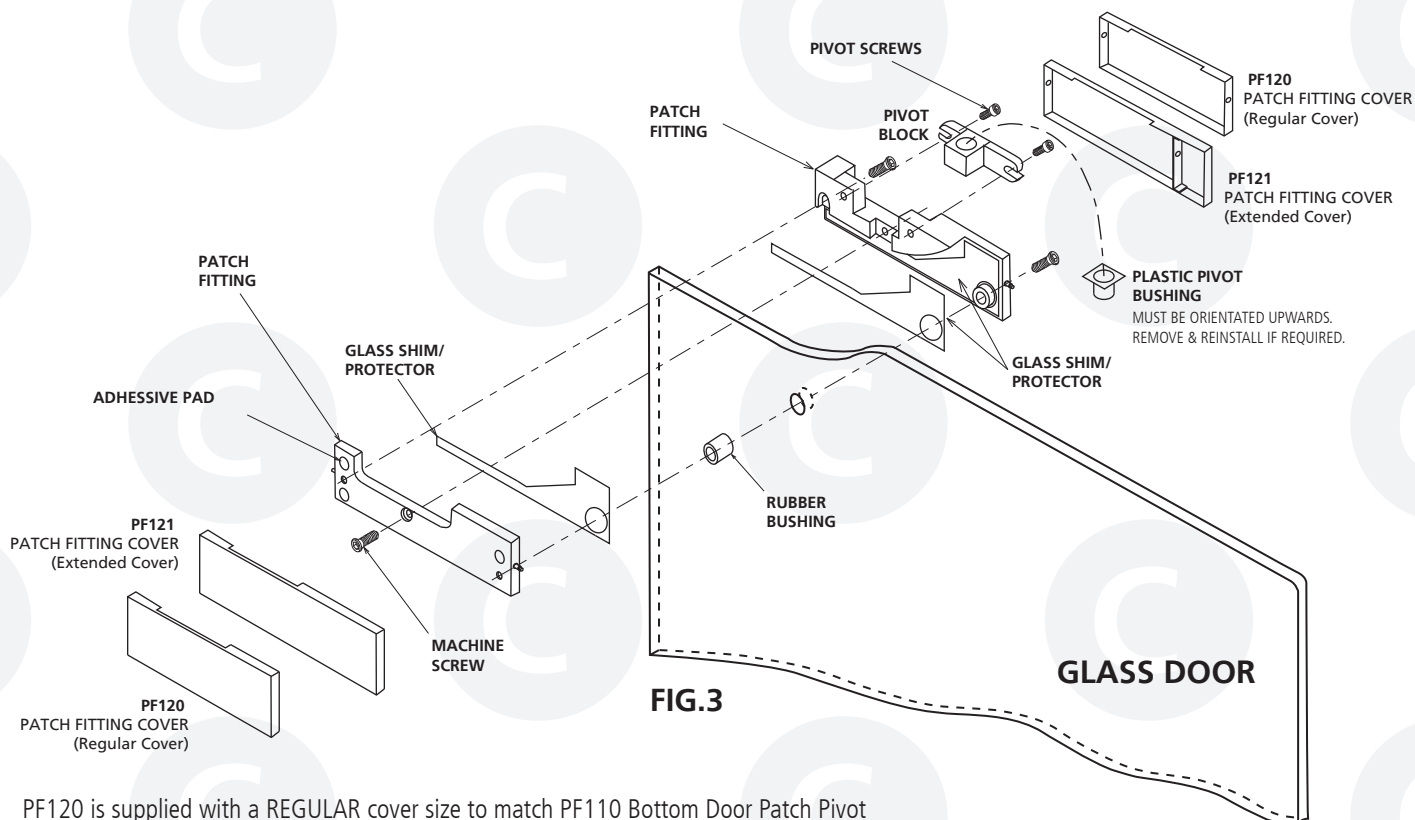
CUT FOR PF120/PF121 TOP DOOR PATCH FITTING (LEFT HAND)

DIMENSIONS : $\frac{\text{mm}}{\text{INCH (ref.)}}$

⚠ DRAWING NOT TO SCALE
 DO NOT USE AS TEMPLATE



PF120/PF121 TOP DOOR PATCH FITTING INSTALLATION INSTRUCTIONS



- ⚠ PF120 is supplied with a REGULAR cover size to match PF110 Bottom Door Patch Pivot
- PF121 is supplied with an EXTENDED cover size to match PF100DC/DCHO Hydraulic Patch Fitting Closer

INSTALLATION INSTRUCTIONS:

1. Prepare and make cuts on glass door top edge (refer to the dimensions supplied in fig.2)
2. Determine pivot vertical reference line. Position patch fitting at the appropriate location from the door edge and ensure that the pivot block hole lines-up with the floor pivot (or hydraulic patch fitting pivot). Adjust or reverse the pivot block if required in order to obtain the required pivot distance between 54~64 mm (see figure 1). Ensure pivot block is secured with setscrews. NOTE: The plastic pivot bushing of the pivot block must be orientated upwards, remove and reinstall if required.
3. Insert rubber bushing in to glass hole and position door patch on door glass (refer to fig. 3), shim as required to accommodate door thickness and fasten assembly with the three (3) supplied machine screws.
 - ⚠ There must be no direct contact between any metal part of the patch fitting and the glass.
4. Adjust pivot block as required and secure pivot block in place using pivot screws.
5. Operate door and ensure that the door opens and closes smoothly and is level vertically and horizontally.
6. Install patch fitting covers. To install a cover, position the cover over the patch fitting body and start by lowering the far edge (away from the wall) to align over the holding spring pin then push the cover towards the wall (the spring pin will lower) while lowering the near edge (towards the wall) over the holding fixed pin. Release the pressure towards the wall and the cover will snap into place.
7. To remove a cover, push cover towards the wall side (lowering the spring pin) and pull out cover from the holding fixed pin first, then pull out from the other end.