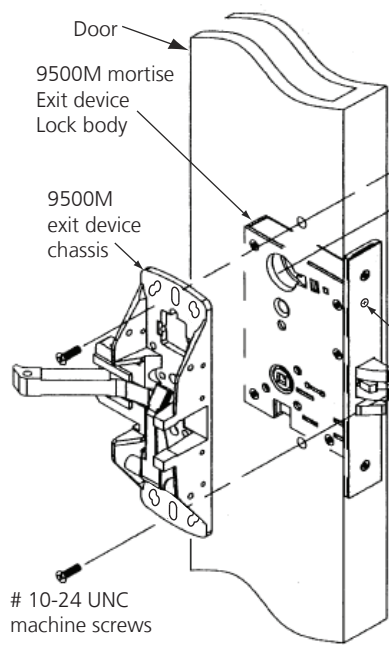
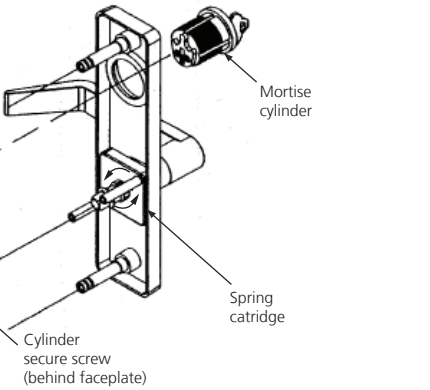
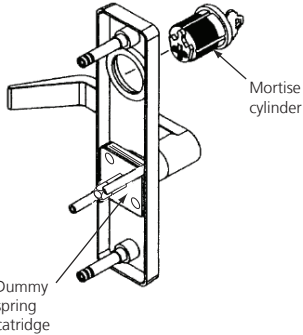
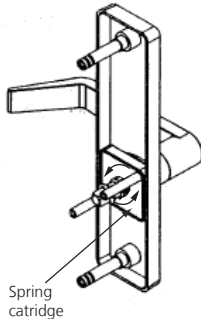


# DOREX® 9500 MORTISE LOCK EXIT DEVICE ESCUTCHEON TRIM INSTALLATION INSTRUCTIONS

## 1. MORTISE LOCK ESCUTCHEON TRIM INSTALLATION INSTRUCTIONS



9500TEM70	9500TEM80	9500TEM10
 <p><b>CLASSROOM (ENTRANCE)</b></p> <p>Lockable escutcheon trim lever, key locks and unlocks lever. Lever operation unlatches door.</p> <p>Attach exit device chassis to trim escutcheon posts using supplied machine screws (2).</p> <p>Attach exit device chassis to door as per installation instructions supplied with mortise exit device</p> <p>Install the mortise cylinder into the escutcheon plate and thread into lock body. Ensure cylinder operation (locks and unlocks the trim lever), and the lever rotation retracts the mortise lock latch. Secure the mortise cylinder with screw (behind faceplate).</p>	 <p><b>STOREROOM</b></p> <p>Fixed trim lever, key retracts the mortise latch.</p> <p>Attach exit device chassis to trim escutcheon posts using supplied machine screws (2).</p> <p>Attach exit device chassis to door as per installation instructions supplied with mortise exit device.</p> <p>Install the mortise cylinder in the escutcheon plate and thread into lock body. Ensure cylinder operation retracts mortise lock latch. Secure the mortise cylinder with screw (behind faceplate).</p>	 <p><b>PASSAGE</b></p> <p>No cylinder, escutcheon trim lever always retracts mortise latch.</p> <p>Attach exit device chassis to trim escutcheon posts using supplied machine screws (2).</p> <p>Attach exit device chassis to door as per installation instructions supplied with mortise exit device.</p> <p>Ensure the lever rotation retracts the mortise lock latch.</p>

### Notes:

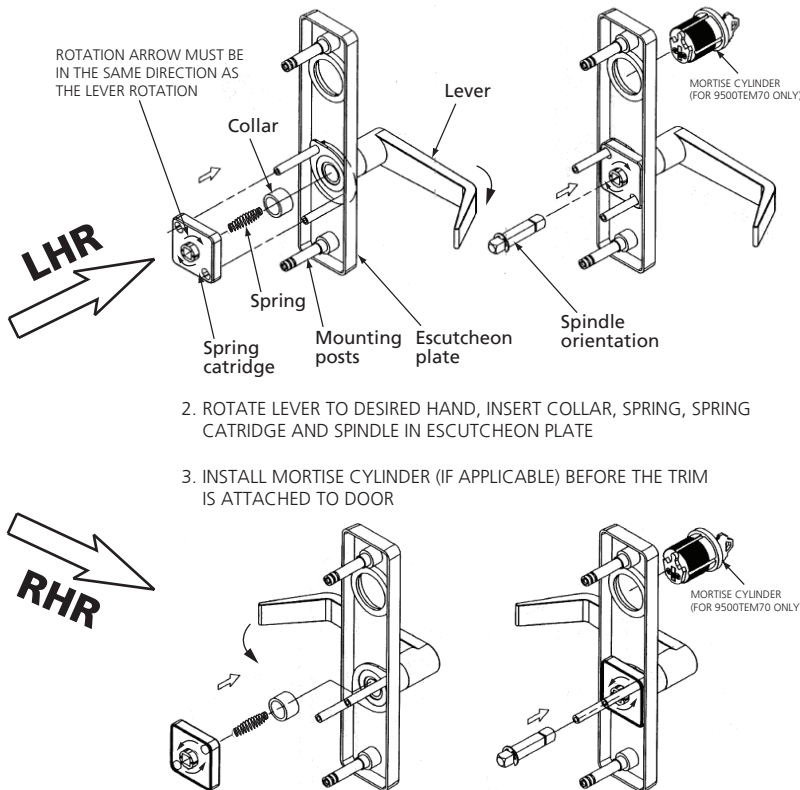
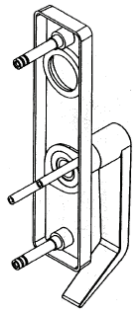
1. Mortise lock supplied with mortise exit device
2. To prepare the door, use template supplied with mortise exit device
3. Verify function and mortise exit device operation, install lock body faceplate and ensure all mounting screws are properly tightened as per mortise exit device installation instructions
4. If required to change trim handing, follow instructions in Section 2, on sheet 2

# DOREX® 9500 MORTISE LOCK EXIT DEVICE ESCUTCHEON TRIM INSTALLATION INSTRUCTIONS

## 2. MORTISE LOCK ESCUTCHEON TRIM ASSEMBLY & HANDING INSTRUCTIONS

### A. ASSEMBLY & HANDING INSTRUCTIONS OF 9500TEM70 & 9500TEM10

1. LEVER TRIM SUPPLIED WITH LEVER POSITIONED NEUTRAL, NON-HANDED



2. ROTATE LEVER TO DESIRED HAND, INSERT COLLAR, SPRING, SPRING CARTRIDGE AND SPINDLE IN ESCUTCHEON PLATE

3. INSTALL MORTISE CYLINDER (IF APPLICABLE) BEFORE THE TRIM IS ATTACHED TO DOOR

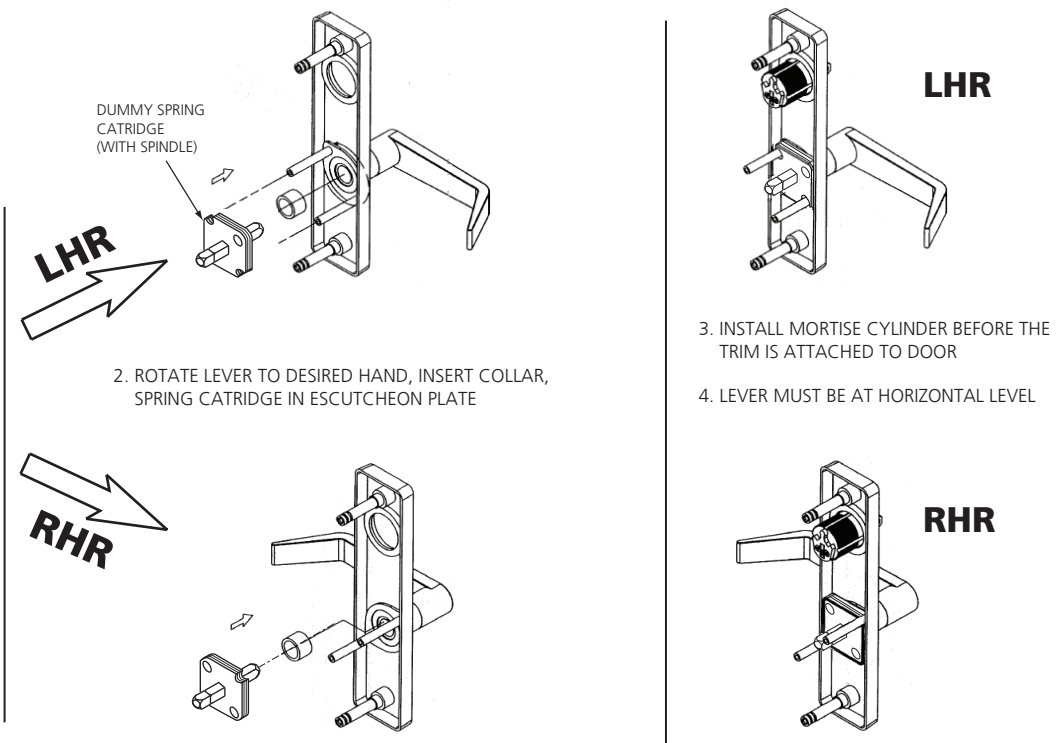
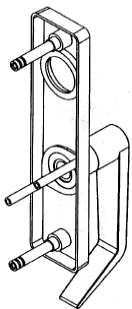
4. LEVER MUST BE AT HORIZONTAL LEVEL

**LHR**

**RHR**

### B. ASSEMBLY & HANDING INSTRUCTIONS OF 9500TEM80

1. LEVER TRIM SUPPLIED WITH LEVER POSITIONED NEUTRAL, NON-HANDED



2. ROTATE LEVER TO DESIRED HAND, INSERT COLLAR, SPRING CARTRIDGE IN ESCUTCHEON PLATE

3. INSTALL MORTISE CYLINDER BEFORE THE TRIM IS ATTACHED TO DOOR

4. LEVER MUST BE AT HORIZONTAL LEVEL

**LHR**

**RHR**