

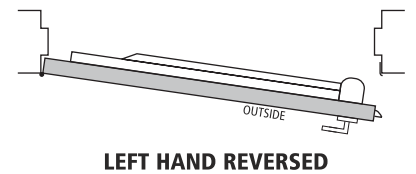
# DOREX® 9500 9500M\*R MORTISE EXIT DEVICE WITH 9500TEM ESCUTCHEON TRIM - WOOD DOOR INSTALLATION TEMPLATE (LHR)

FOR RHR INSTALLATION, USE REVERSE SIDE

## OUTSIDE DOOR SURFACE PREPARATION FOR ESCUTCHEON TRIM

## DOOR EDGE PREPARATION FOR LOCK BODY

## DOOR FRAME PREPARATION FOR STRIKE



0.500" DIA. THRU HOLE  
ESCUTCHEON ONLY  
2 HOLES (DRILL BEFORE  
CAVITY CUTOUT)

1.312" DIA.  
CYLINDER HOLE  
FOR FUNCTIONS  
70 & 80 ONLY  
(ON OUTSIDE  
SURFACE ONLY)

0.750" DIA.  
THRU HOLE

0.406" DIA.  
2 THRU HOLES

REF  
40-9/16" FROM  
FINISHED  
FLOOR LEVEL

**3**  
2.750" BACKSET

CAVITY  
LOCK BODY OUTLINE  
ESCUTCHEON TRIM OUTLINE

LOCK BODY OUTLINE  
ESCUTCHEON TRIM OUTLINE

BACKSET & CHASSIS  
VERTICAL CENTERLINE

DOOR EDGE

OUTSIDE DOOR SURFACE

INSIDE DOOR SURFACE

DOOR STOP

SILENCER  
1/8"  
DOOR THICKNESS  
CENTERLINE

LEFT HAND REVERSED

1.250"

LOCK BODY  
MORTISE  
CAVITY

1.00"

DRILL  
1.00" DIA.  
4.50" DEEP  
6.50" HEIGHT

8.000"

7.250"

3.625"

4.000"

1.750"  
(DOOR THICKNESS)  
REF.

**2**  
0.156 DIA. X 1 1/4" DEEP PILOT HOLE  
ON WOOD DOOR OR DRILL & TAP FOR  
#12-24 NC SCREW ON METAL DOOR  
2 HOLES

STRIKE  
HORIZONTAL CENTERLINE  
MORTISE LOCK  
HORIZONTAL CENTERLINE  
EXIT DEVICE CHASSIS  
HORIZONTAL CENTERLINE

0.375"

0.375" REF **1**

**2**

0.156 DIA. X 1-1/4" DEEP PILOT HOLE  
ON WOOD FRAME OR DRILL & TAP  
FOR #12-24 NC SCREW ON METAL FRAME  
2 HOLES

1.250"

0.625"

0.562"

DRILL  
1.062" DIA. x  
1.125"  
DEEP

1.062"

0.875"  
REF.

1/8"

DOOR THICKNESS  
CENTERLINE

**1**

Dimension 0.375" is for reference only. Dimension may vary depending on the exit device chassis configuration

**2**

Metal door applications require special door and frame preparation and reinforcement. Refer to ANSI A156.115 specification or consult your mortise exit device supplier.

**3**

Backset and door edge fold line is for non-bevelled doors.

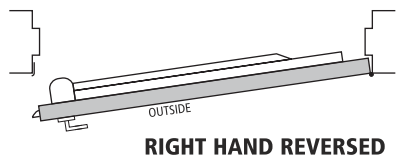
CUTOUT FOR STRIKE  
0.10" DEEP FOR WOOD FRAME  
0.16" DEEP FOR STEEL FRAME (WITH DUST BOX)

**ATTENTION**  
Do not use template if not to scale.  
To verify, confirm boxed dimensions

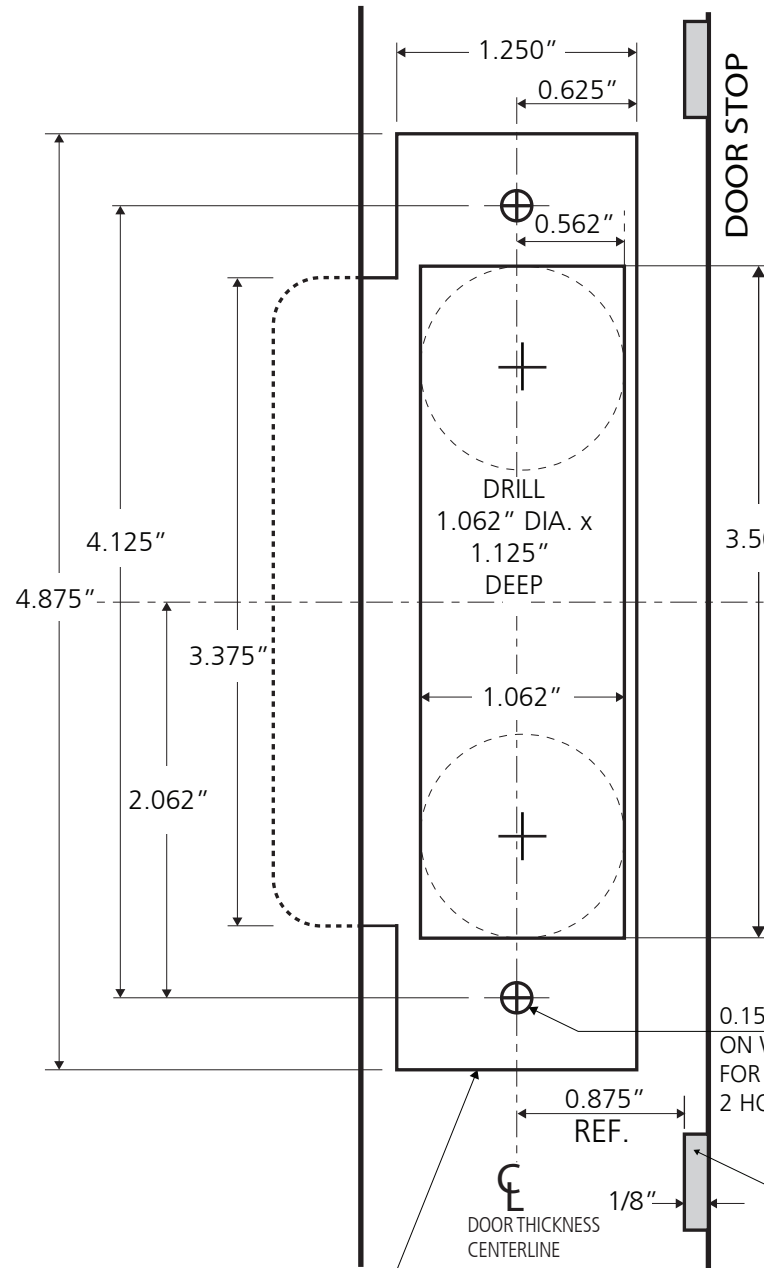
ALL DIMENSIONS ARE IN INCHES

# DOREX® 9500 9500M\*R MORTISE EXIT DEVICE WITH 9500TEM ESCUTCHEON TRIM - WOOD DOOR INSTALLATION TEMPLATE (LHR)

FOR LHR INSTALLATION, USE REVERSE SIDE



## DOOR FRAME PREPARATION FOR STRIKE



**2** 0.156 DIA. X 1-1/4" DEEP PILOT HOLE ON WOOD DOOR OR DRILL & TAP FOR #12-24 NC SCREW ON METAL DOOR 2 HOLES

**1** 0.375" REF

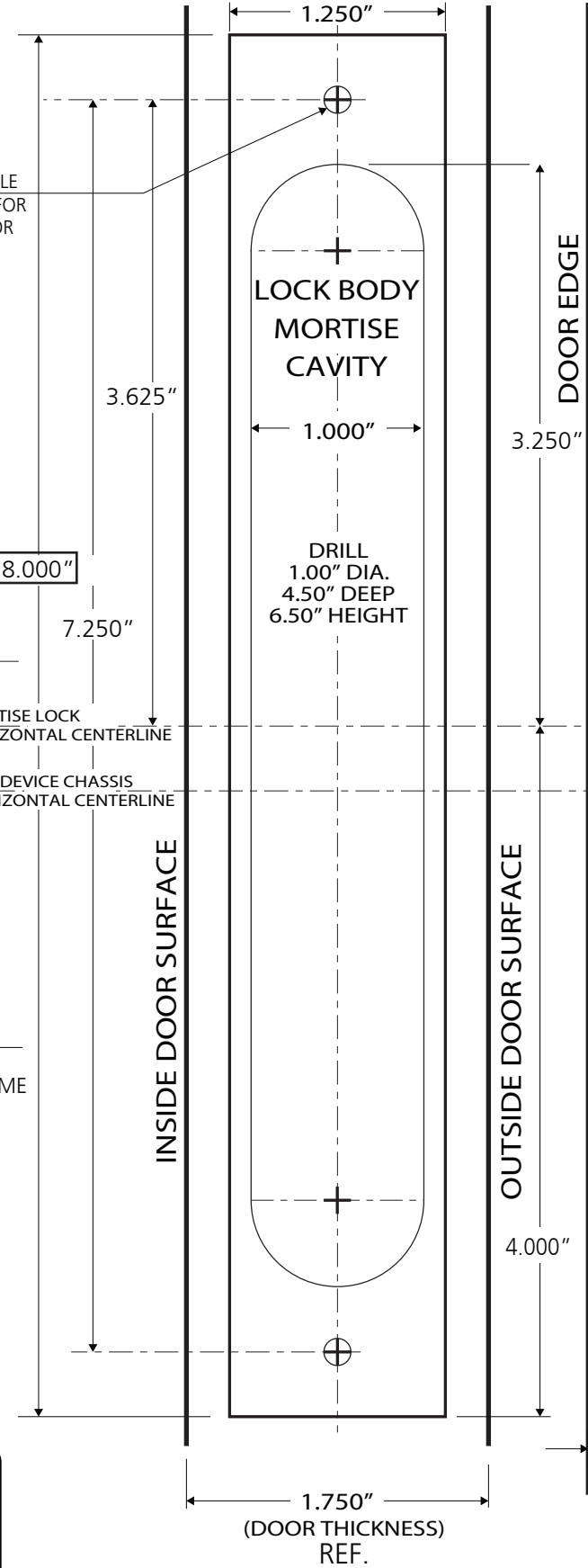
STRIKE HORIZONTAL CENTERLINE

MORTISE LOCK HORIZONTAL CENTERLINE

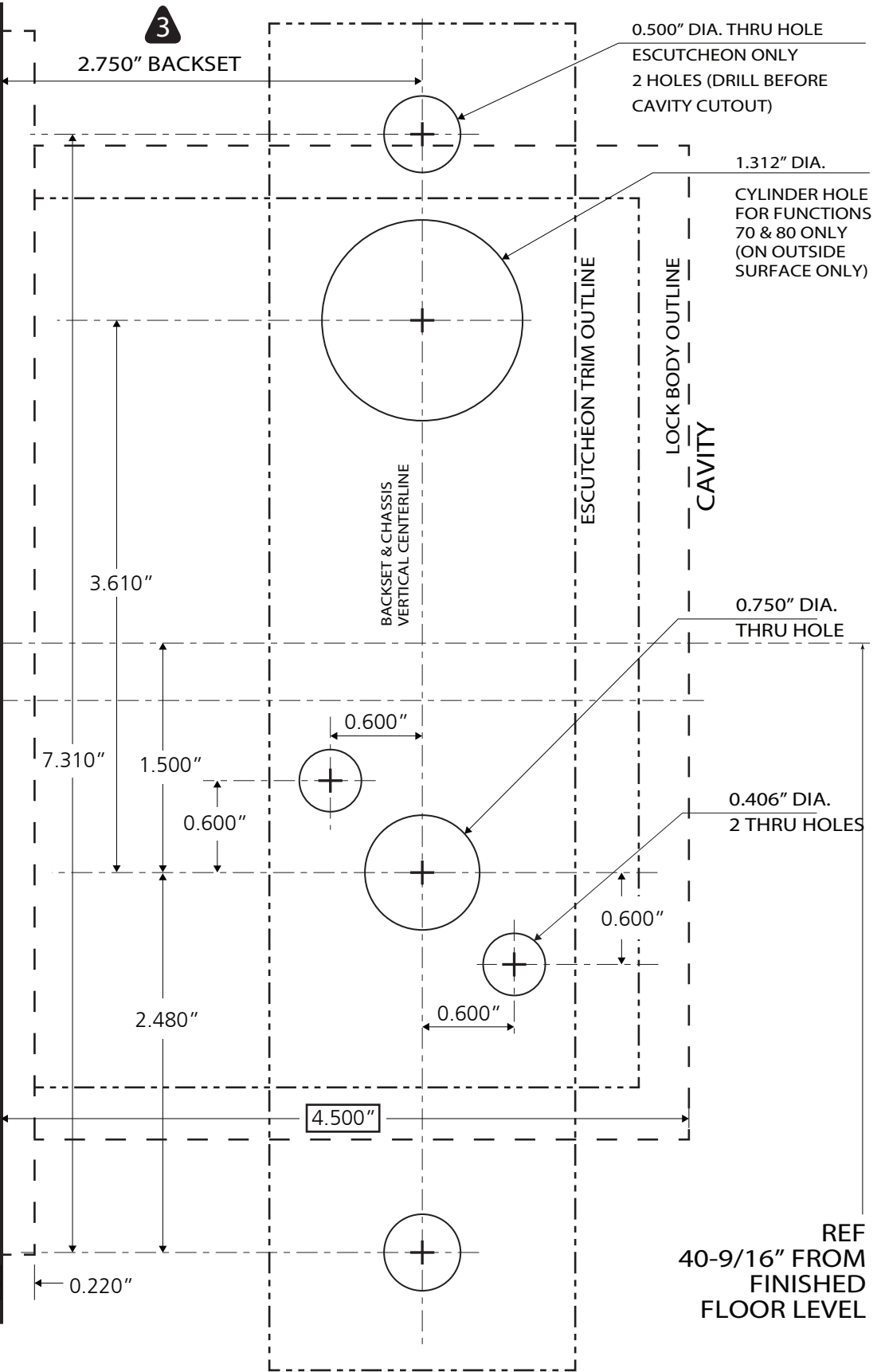
EXIT DEVICE CHASSIS HORIZONTAL CENTERLINE

**2** 0.156 DIA. X 1-1/4" DEEP PILOT HOLE ON WOOD FRAME OR DRILL & TAP FOR #12-24 NC SCREW ON METAL FRAME 2 HOLES

## DOOR EDGE PREPARATION FOR LOCK BODY



## OUTSIDE DOOR SURFACE PREPARATION FOR ESCUTCHEON TRIM



- 1** Dimension 0.375" is for reference only. Dimension may vary depending on the exit device chassis configuration
- 2** Metal door & frame applications require special door and frame preparation and reinforcement. Refer to ANSI A156.115 specification or consult your mortise exit device supplier.
- 3** Backset and door edge fold line is for non-bevelled doors.

**ATTENTION**

Do not use template if not to scale. To verify, confirm boxed dimensions

ALL DIMENSIONS ARE IN INCHES