

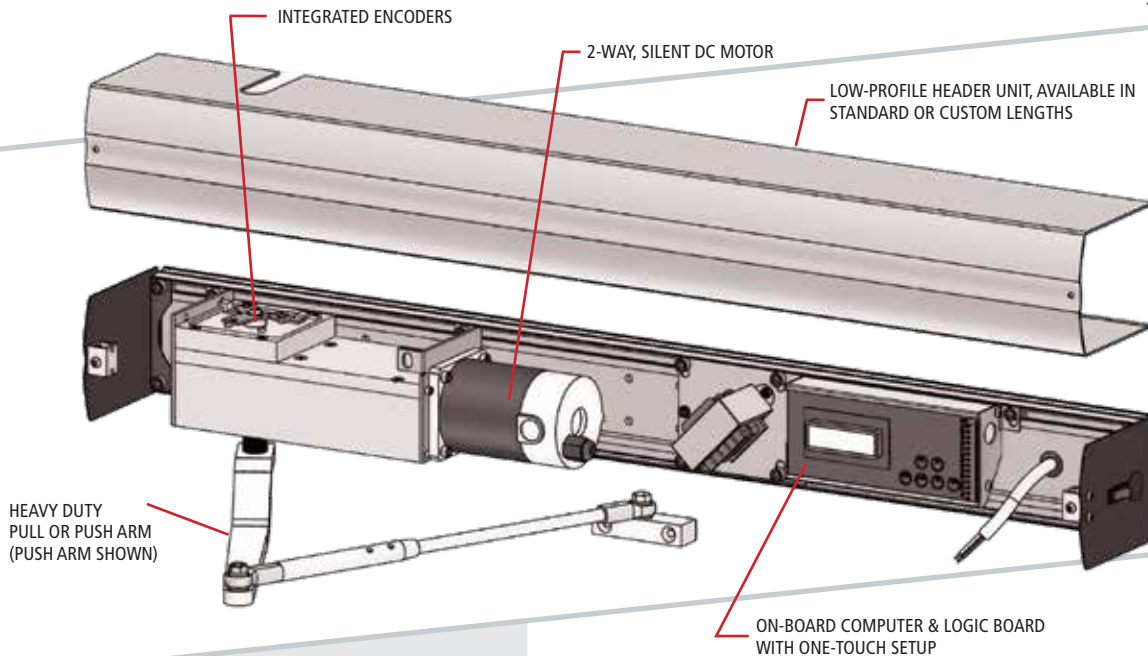


Sigma Automatics are a leading provider of high-quality automatic door operators and equipment. With a wide range of innovative solutions made to accommodate different architectural designs and hardware requirements, their products are designed to meet the needs of any application.

www.sigmaautomatics.com

SIGMA 
AUTOMATICS

SA-300 LOW ENERGY SWING DOOR OPERATOR



The SA-300 Series low energy swing door operator is ideal for use in exterior or interior entryways, corridors and various applications that occasionally require an automatic opening. Common applications include libraries, retail, education and assisted living buildings, facilities or areas.

The SA-300 Series electro-mechanical door operators are suitable for use on all types of doors, including large and heavy doors. It can be surface mounted either side of an opening for push/pull operation. The SA-300 Series operator can be used with single doors, double doors (simultaneous) and double egress (opposing door swing) doors fitted with standard hinges, and can be connected to a door with a range of different arm systems.

The SA-300 Series can replace existing manual door closers, converting openings into automated ones easily while still being manually opened with ease.

The SA-300 is an all-weather device, and is not affected by stack pressure or wind load when operating.

Other model series include concealed operators for swing clear hinges, offset pivots or center pivots – please contact your local sales representative for details.

SMART DOOR OPERATOR

Integrated logic board allows for one-touch setup and easy integration with card readers, sensors, push buttons, electric strikes, and other electrified hardware.

PUSH OR PULL APPLICATIONS

Can be used in either configuration and can be field converted from one mode to the other.

SINGLE OR DOUBLE DOOR

Can be configured for paired doors for simultaneous one-way swing or opposing swings (dual egress) or paired with a manual door closer.

LOW PROFILE AND VERSATILE

Low profile, modern design that can be surface mounted, or concealed in the floor or transom.

WIND BRAKE AND PRESSURE COMPENSATION

Automatically counteracts wind forces and pressure changes.

COLLISION DETECTION

Automatically reverses swing when encountering an obstacle.

POWER ASSIST

Automatically opens when door is pushed (Push&Go) and can provide additional power (Lock Kick) to close and latch the door.

ON BOARD POWER

Power connected devices, sensors, and lights with on-board 24V power.

BUILT-TOUGH

Fire-rated and designed for heavy use, backed by a two-year warranty.

SPECIFICATIONS

- Certifications**
- Conforms to ANSI/BHMA A156.19 for low energy door operators
 - cULus listed; conforms to UL 325, UL 228, UL10C (3hr) and CSA Std.C22.2 #247
 - ADA Compliant
 - 2-Year limited warranty

Type Commercial low energy automatic swing door operator with integrated logic board

- Handing**
- Handed, field reversible¹
 - Field reversible swing (push to pull or vice versa)²
- (1) Operators are delivered Right Hand by default
(2) Required arm kit for swing reversal sold separately

- Capacity**
- 480 lbs (217 kg) per door leaf
 - 48" (122 cm) maximum door leaf width
- Based on prevailing conditions at door opening.

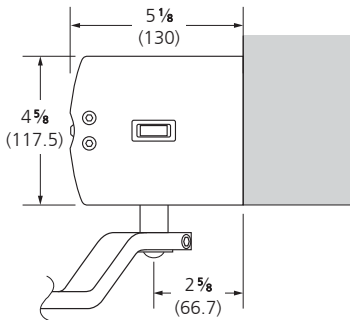
Control Type Microprocessor with digital display

Opening 120° maximum

- Reveal**
- Up to 12" (304.8 mm) for PUSH applications
 - Up to 6" (152.4 mm) for PULL applications

Finish 628–Anodized aluminum, 668–Dark bronze
Other finishes available by special order

- Electronic Features**
- One-touch, self-learning, auto-configuration setup
 - Interfaces with access control devices
 - Works with all major sensors, including BEA LZR and Optex Elite Pro
 - Operates as mechanical closer during power failures
 - Dual operators can operate independently (Dual-Egress) or simultaneously
 - Power Assist (Push&Go) for automatic door opening when pushed
 - Lock Retry and Lock Kick to ensure proper latching
 - Wind Force Dampening (Wind-Brake) to counteract wind forces
 - Pressure Compensation to counteract positive, negative and sudden pressure changes for smooth operation
 - Built-in encoders track door position, even after a power failure
 - Built-in obstacle detection, expandable with sensors (sold separately)
 - Mechanical door stop (80° to 120°)
 - Programmable sweep and latching speeds
 - Programmable cushioning backcheck
 - Programmable delayed action



TECHNICAL DATA

Electrical

- Power supply: 115V AC, 60 HZ
- Power consumption: Max. 100W, draws 500 mA
- Auxiliary output voltage: 24 VDC up to 1A
- Fuse type: 5A @ 500V, Slow-Blow
- Electric lock relay type: MOSFET
- Lock relay rating: 5.7A @ 100VDC (limited to 1.1A @ 24VDC)

Motor

- Rating: 18 VDC
- Type: Permanent Magnet (PM) Silent

Environmental

- Operating temp. : -40° to 50°C (-40° to 122°F)
- Relative humidity: Max. 100%

SELECTION GUIDE

MODEL	DESCRIPTION	HANDING / OPERATION	LENGTH*	FINISH*
FOR STANDARD SWING DOORS				
300	Surface mounted, single operator	LEFT HAND-L (PULL-PL) / RIGHT HAND-R (PULL-PL)	41 (1041.4)	Clear (628) Dark Bronze (668)
320	Surface mounted, paired operators, simultaneous one-direction opening <i>Dual Egress (opposing swings) available - indicate DE when ordering.</i>		76 (1930.4)	
350	Surface mounted, single operator paired with surface door closer mounting plate (door closer sold separately) ¹	RIGHT HAND-R (PUSH-PS) / LEFT HAND-L (PUSH-PS)		

IN (MM) (*) CUSTOM HEADER LENGTHS AND OTHER FINISHES AVAILABLE BY SPECIAL ORDER. (1) DOREX 441HD SURFACE DOOR CLOSER RECOMMENDED.
NOTE: CONCEALED, PIVOT AND SWING-CLEAR MODELS ARE AVAILABLE BY SPECIAL ORDER.

ALL MODELS INCLUDE

All SA-300 swing door operators have a clutch-less gear box that allows the operator to drive the door in either direction. Ideal for heavy over-sized doors or high stack pressure or heavy wind conditions.

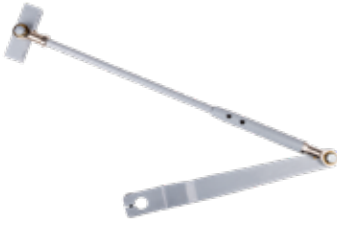
TO ORDER

SA - 300 - PS - 41 - 628
MODEL TYPE¹ LENGTH FINISH

(1) INDICATE PS: PUSH, PL: PULL, FOR 320 DUAL EGRESS INDICATE DE
ORDERED ARM(S) ARE INCLUDED, ADDITIONAL ARMS FOR FIELD REVERSALS SOLD SEPARATELY.

For more information about the SA-300, similar and complimentary products, please contact your local Canaropa sales representative.

PARTS



SA-PS-628 PUSH ARM ASSEMBLY

- Heavy-duty, cast alloy construction
- Available in dark bronze (668)



SA-PL-628 PULL ARM ASSEMBLY

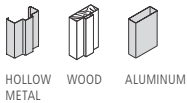
- Heavy-duty, cast alloy construction
- Includes rail and nylon ball-bearing roller
- Available in dark bronze (668)

COMPLEMENTARY ACCESSORIES



CX-ED1379 NARROW STILE ELECTRIC STRIKE

- For cylindrical and mortise locksets with spring latches
- Selectable Fail Safe/Fail Secure
- Selectable 12/24V, AC/DC
- ½ to ¾" (12.7 – 16 mm) latch projection
- Easy fit connectors
- A range of aluminum and dark bronze face plates



HOLLOW METAL WOOD ALUMINUM



CM-RQE7A



CM-RQE7ABK

CM-RQE70A

PIR "REQUEST TO EXIT" SENSOR:

- Compact design for door frames
- Easy to use on-board programming
- (4) Factory default operating modes, with the ability to customize mode attributes
- Selectable fail safe/fail secure
- (2) Form 'C' contacts
- Momentary and latching relay modes
- Secondary activation device input
- Card/keypad input
- Door position switch input
- Request to Exit input
- Built-in sounder (adjustable)
- Tamper switch



CM-400

PUSH BUTTON STAINLESS STEEL FACEPLATE:

- 1½" (40 mm) diameter button
- Vandal resistant free-spinning button
- Single gang stainless steel face plate
- Available in English or French



CX-WEC10K2

EMERGENCY CALL KIT FOR UNIVERSAL RESTROOMS:

- Complete kit
- Double gang, emergency call button with annunciator
- Single gang dome light with alarm
- Solid white sign (English / French)

Mounting boxes are not included.



CM-45

4½x4½ in (114 x 114 mm) PUSHPLATE:

- ADA Compliant
- Hidden mounting screws
- Stainless steel push plate
- Available in English or French

Mounting boxes are not included.



CM-AF500

LED ANNUNCIATORS:

- Bright LEDs for high visibility, even in daylight
- Text/graphics are not legible when not illuminated
- Vandal and weather resistant construction
- Single gang stainless steel face plate



CM-30C

SQUARE ILLUMINATED EXIT SWITCH:

- High visibility 2" (51 mm) square button
- Single gang with stainless steel faceplate
- Bright LED provides clarity and longevity
- Variety of bilingual labels