



Perko concealed door closers have been closing doors in a wide variety of commercial, residential, and institutional buildings for over 30 years, establishing themselves as the preferred choice for specifiers and contractors.

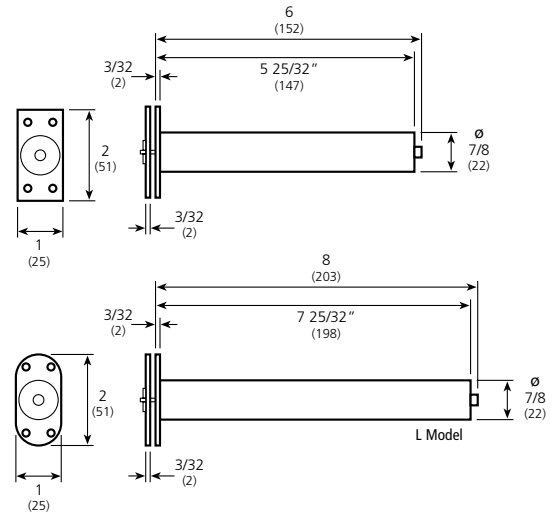
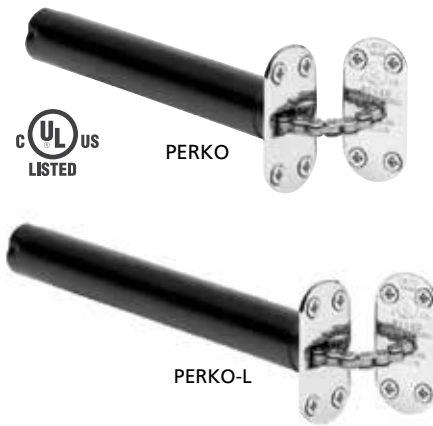
[www.perkopower.com](http://www.perkopower.com)

**PERKO**

# PERKO

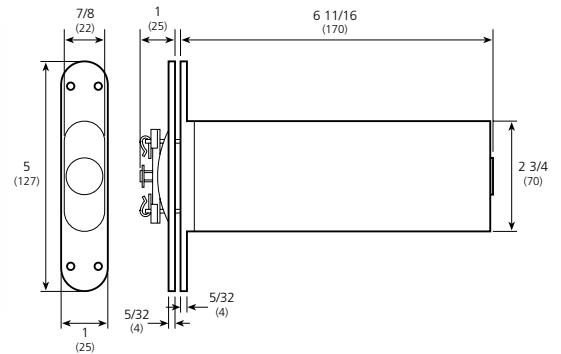
## Perko

- The original Perko concealed door closer
- Non-handed
- Solid brass anchor plates
- Adjustable spring mechanism
- For interior doors up to 110lbs (50kg)
- Various finishes available on special order



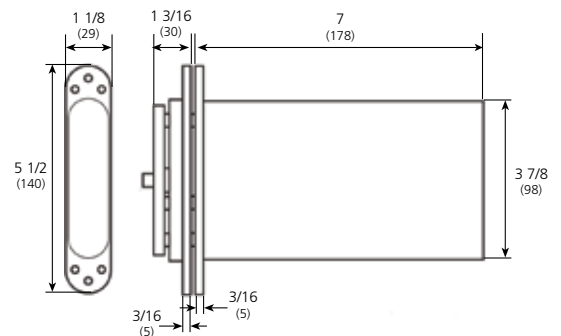
## Perkomatic

- Non-handed
- Solid brass anchor plates
- Adjustable spring and hydraulic mechanism
- For interior doors up to 165 lbs (75kg)
- Various finishes available on special order



## Perkopower

- Fits 1 1/4 to 1 3/4" (31.8 to 44.5mm) door thicknesses
- For doors up to 176lbs (80kg) in weight and 37 1/2" (950mm) wide
- Conforms to ANSI 156.4 and ADA maximum opening force
- Conforms to power size 3 on controlled door closing device
- Suitable for latched and unlatched installations
- Adjustable closing speed and latching action
- Endurance tested to 500,000 closing cycles
- Unique twin power mechanism for extra closing force
- Various finishes available on special order



Learn more at: [www.perkopower.com](http://www.perkopower.com)

Please contact your local Canaropa sales representative to order. Special orders may require additional delivery time and/or minimum order quantities.