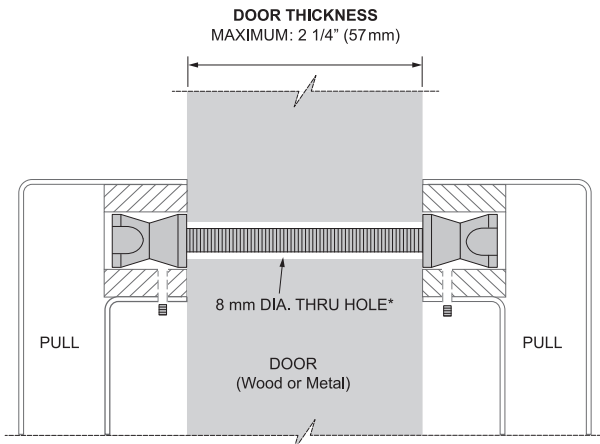


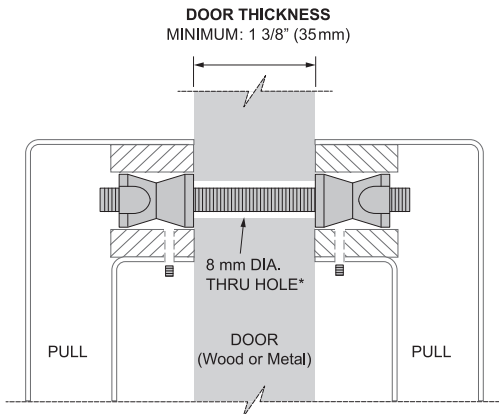
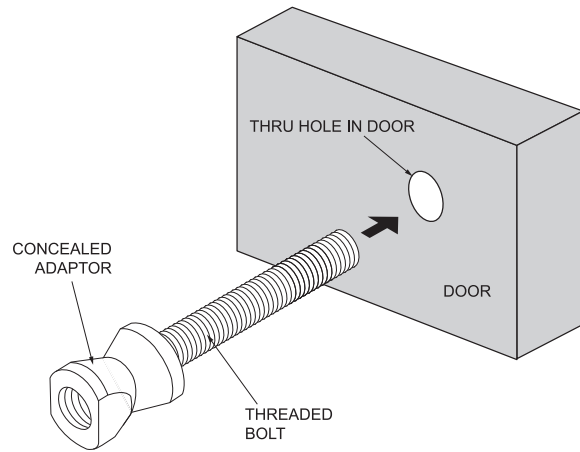
DOREX® PULLS INSTALLATION INSTRUCTIONS

**BACK TO BACK
FOR METAL OR WOOD DOORS**

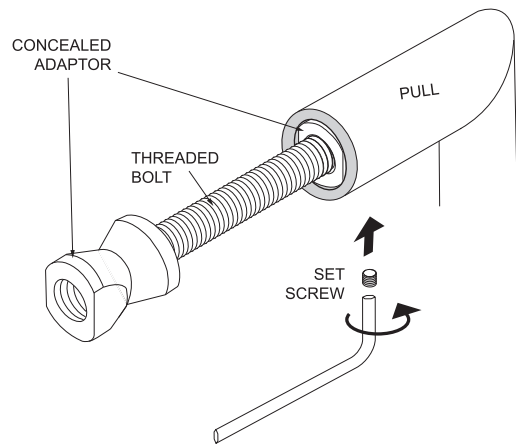
**APPLICABLE TO PULL MODELS:
18R12BB, 18R16BB, 18R24BB
19R12BB, 19R16BB, 19R22BB**



* FOR: 1 3/4" (44.5 mm) TO 2 1/4" (57 mm) DOORS
USE THE M6 X 72 mm THREADED BOLT

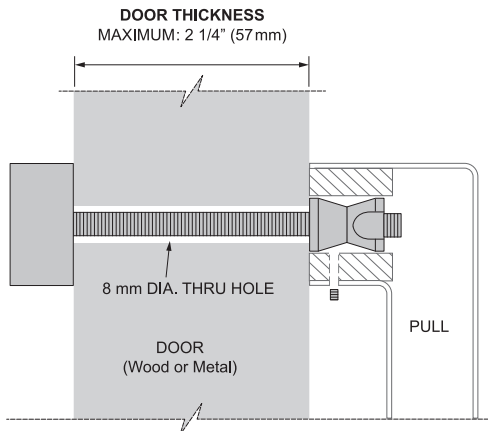


* FOR: 1 3/8" (35 mm) TO 1 3/4" (44.5 mm) DOORS
USE THE M6 X 60 mm THREADED BOLT



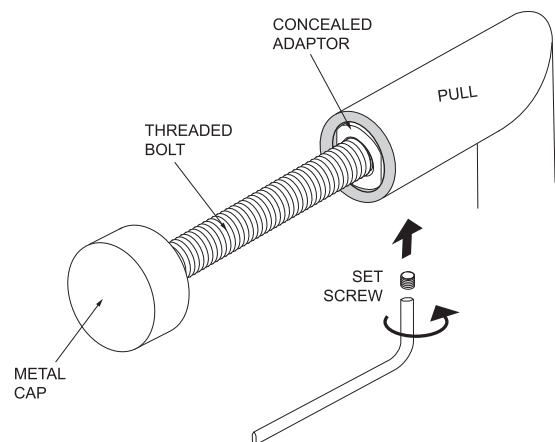
**SINGLE PULL
FOR METAL OR WOOD DOORS**

**APPLICABLE TO PULL MODELS:
18R12BS, 18R16BS, 18R24BS
19R12BS, 19R16BS, 19R22BS**



* FOR: 1 3/4" (44.5 mm) TO 2 1/4" (57 mm) DOORS
USE THE M6 X 72 mm THREADED BOLT

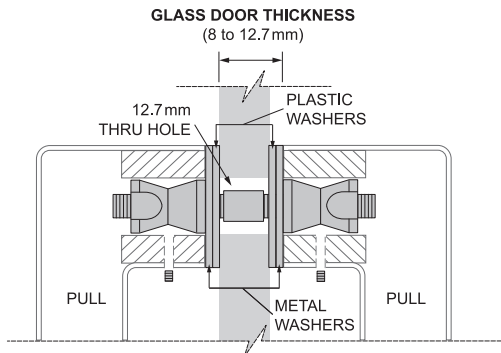
* FOR: 1 3/8" (35 mm) TO 1 3/4" (44.5 mm) DOORS
USE THE M6 X 60 mm THREADED BOLT



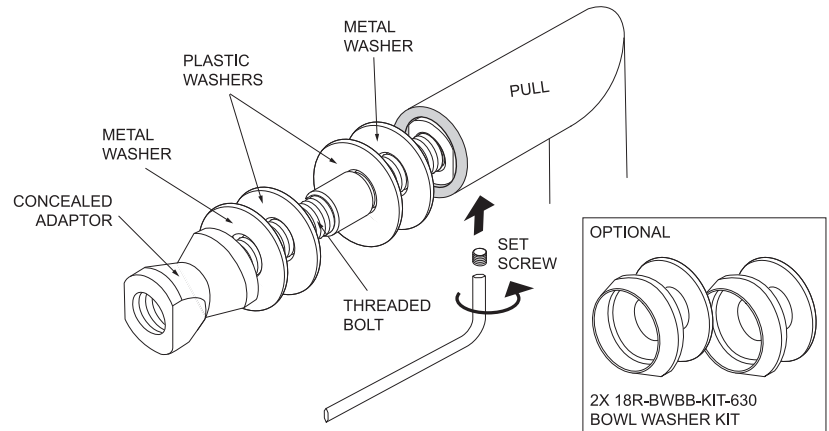
DOREX PULLS INSTALLATION INSTRUCTIONS

BACK TO BACK FOR GLASS DOORS

APPLICABLE TO PULL MODELS:
18R12BB, 18R16BB, 18R24BB
19R12BB, 19R16BB, 19R22BB

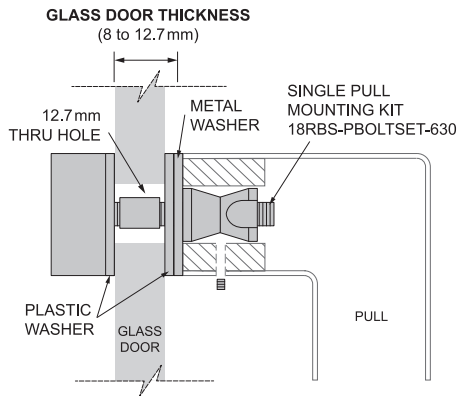


* FOR: 8 mm TO 12.7 mm GLASS DOORS
USE THE M6 X 35 mm THREADED BOLT

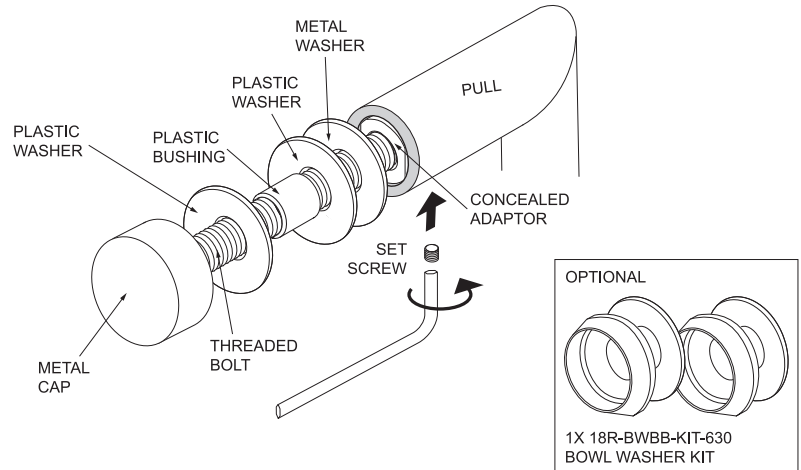


SINGLE PULL FOR GLASS DOORS

APPLICABLE TO PULL MODELS:
18R12BS, 18R16BS, 18R24BS
19R12BS, 19R16BS, 19R22BS



* FOR: 8 mm TO 12.7 mm GLASS DOORS
USE THE M6 X 35 mm THREADED BOLT



Stainless Steel Care & Maintenance Guide

Stainless steel is corrosion resistant and does not readily corrode, rust or stain. Stainless steel corrosion resistance is due to the presence of a thin, durable film of chromium oxide. Chromium oxide is inert, invisible, self-repairing and provides an unrivalled protection for the steel; should the film be damaged or removed it will regenerate, provided that oxygen is present to allow the chromium content of the steel to react with it.

Surface contaminants hinder the ability of stainless steel to regenerate its protective film, allowing dark brown spots to occur on its surface. Thus routine maintenance and cleanliness are essential to ensure the quality and appearance of the stainless steel product.

Recommended Maintenance

- Clean stainless steel surfaces regularly using a mild cleaning agent to remove any surface contaminants.
- After cleaning, use CLEAN water to remove traces of the cleaning agent from the stainless steel surface.
- Thoroughly dry the stainless steel surface with a soft, clean cloth.

Stainless steel products exposed to aggressive conditions, such as offshore, marine and swimming pool environments, it is important that cleaning occurs more frequently for optimum appearance.

Discoloration

If damage or spots appear on the surface it may be due to impurities in the water, the air or cleaning agents that have not been thoroughly removed from the surface during the recommended maintenance of the product.

Warning! Avoid the following:

- Scouring powders
- Acidic or high chloride cleaners
- Salt (de-icing)
- Steel wool or brushes
- Strong abrasive materials
- Immersing the product in any liquid.
- Exposing the product in highly corrosive environment.

If damage or spots persistently appear on the surface after the recommended maintenance has been observed, stainless steel cleaners that clean and protect the metal may be used with care. The cleaning product must be applied on the stainless steel as instructed by its manufacturer.