



- Certifications**
- Conforms to ANSI/BHMA A156.5, Grade 2
 - 1 Year limited warranty

- Door Thickness**
- 1 $\frac{3}{8}$ –1 $\frac{3}{4}$ " (35–44.5 mm)

- Handing**
- Non handed

- Backset**
- 2 $\frac{3}{8}$ –2 $\frac{3}{4}$ " (60–70 mm) adjustable
 - 2 $\frac{3}{4}$ " (70 mm) – available
 - 2 $\frac{3}{8}$ " (60 mm) – available
 - 5" (127 mm) – available

- Deadbolt**
- Solid brass with hardened steel security pin
 - 1" (25.4 mm) throw

- Faceplate**
- Mortise type, square corners
 - 1 x 2 $\frac{1}{4}$ " (25.4 x 57 mm)

- Strike**
- Steel (#9111) and wood (#9118R) frame security strikes
 - 1 $\frac{1}{8}$ x 2 $\frac{3}{4}$ " (29 x 70 mm)
 - Plastic dust-box

Other strikes available

- Chassis**
- Exposed mounting screws

- Preparation**
- Cross bore: 1 $\frac{1}{2}$ " or 2 $\frac{1}{8}$ " (38 mm or 54 mm)
 - Edge bore: 1" (25.4 mm)

- Cylinder**
- Not keyed
 - Emergency unlock by emergency key* or flat head screw driver

() Emergency key TLA42-KEY not included*

- Function** 42I Privacy with indicator

- Finish** 26D–Satin chrome, 32D–Satin stainless steel

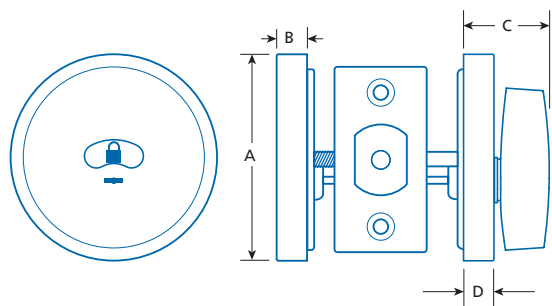
Other finishes available by special order

TLA	42I	32D
SERIES	FUNCTION	FINISH

SELECTION GUIDE

SERIES	FUNCTION ¹	FINISH ¹	/CASE
TLA	421 Privacy, with indicator*	26D, 32D	20

(1) OTHER FINISHES AND FUNCTIONS AVAILABLE, MINIMUM ORDER QUANTITIES AND/OR ADDITIONAL DELIVERY TIMES MAY BE REQUIRED
 (*) CANNOT ACCOMMODATE DOORS THICKER THAN 1-3/4IN (44.5 MM); NOT FIRE-RATED



	ø A	B	C	D
TLA 421	2 9/16 (65)	1 1/32 (8.5)	1 (25)	1 1/32 (8.5)

IN (MM)

PARTS & ACCESSORIES



9111
Steel frame strike; square.
1 1/8 x 2 3/4" (29 x 70 mm)



9118
Wood frame strike; square.
1 1/8 x 2 3/4" (29 x 70 mm)

9118R
Wood frame strike; round.
1 1/8 x 2 3/4" (29 x 70 mm)



TLA42-EKEY
Emergency key for TLA 421.



TL007
Deadbolt: 2 3/8" (60 mm) backset,
1 x 2 1/4" (25.4 x 57 mm) faceplate

TL008
Deadbolt: 2 3/4" (70 mm) backset,
1 1/8 x 2 1/4" (28.5 x 57 mm) faceplate

TL009
Deadbolt: 5" (127 mm) backset,
1 x 2 1/4" (25.4 x 57 mm) faceplate

TLA-LBU
Deadbolt: 2 3/8"-2 3/4" (60-70 mm) adjustable
backset, 1 x 2 1/4" (25.4 x 57 mm) faceplate



TL020
Plastic spacer for latches with 1 x 2 1/4"
(25.4 x 57 mm) faceplate to fit preparations
for 1 1/8 x 2 1/4" (28.5 x 57 mm) faceplates

