




- Certifications**
- Conforms to ANSI/BHMA A156.2, Grade 2
  - 3 Year limited mechanical warranty
  - 1 Year limited electronic warranty
- Door Thickness**
- 1 3/8"–2" (35–51 mm)
- Handing**
- Non handed
- Backset**
- 2 3/8"–2 3/4" (60–70 mm) adjustable
- Spring Latch**
- Zinc alloy
  - 1/2" (12.7 mm) throw
- Faceplate**
- Fixed mortise type, square corners
  - 1 x 2 1/4" (25.4 x 57 mm)
- Strike**
- T-Type, square corners
  - 1 1/8 x 2 3/4" (28.5 x 70 mm) wood frame
- Chassis**
- Zinc die-cast levers
  - Lever clutch release
  - Exposed mounting screws
  - Interior / exterior trim gaskets
- Preparation**
- Cross bore: 2 1/8" (54 mm)
  - Edge bore: 1" (25.4 mm)
- Cylinder**
- Solid brass, 5-pin
  - Schlage "C" keyway, 2 keys
  - Removable, rekeyable
- Other keyways and keying options available. May require special order.*
- Interface**
- Digital touch keypad
  - Blue LED back-light

- Electronic Features**
- 1 Programming code (8 digit)
  - 25 User codes (4–8 digits)
  - 4 Renewable single use codes
  - Auto Lock with delay (99 sec. maximum)
  - Vacation Mode (disables keypad)
  - Optional random screen keypad activation code to prevent number probing
  - Low battery power indicator
- Wireless Protocol**
- RFID - MIFARE™ 13.56 MHz (Classic 1K)
  - 25 RFID token capacity
  - 2 RFID cards included\*
  - Two-factor authentication mode available (requires user code and RFID token)
- (\* Other single or dual frequency key fobs and bracelets available by special order.)*
- Power**
- DC 6V
- Four (4) AA 1.5V alkaline batteries NOT included.*
- Operation Temperature**
- -31° to 150.8°F (-35° to 66°C)
- Temperature tolerance can vary due to weather conditions.*
- Function**
- 80 Storeroom
- Lever Style**
- JN–Juno (default), C–Curved return\*, H–Standard return\*
- (\* May require additional lead time.)*
- Finish**
- 15–Satin nickel, 19–Matte black
- Other finishes available by special order.*

ASM	-	F425T	-	NR	-	2		80		KD		M	-	JN	-	15
TYPE		SERIES		PROTOCOL		KEYWAY		FUNCTION		KEYING		LATCH		LEVER		FINISH

## SELECTION GUIDE

SERIES	DESCRIPTION	STYLE <sup>1</sup>	FINISH <sup>2</sup>	/ CASE
ASM-F425T-NR	RFID Electronic lever lockset with LED digital touch keypad. 	JN, C, H	15, 19	4

(1) OPTIONAL C, H STYLE LEVERS MAY REQUIRE ADDITIONAL LEAD TIME (2) OTHER FINISHES AVAILABLE, MINIMUM ORDER QUANTITIES AND/OR ADDITIONAL DELIVERY TIMES MAY BE REQUIRED.  
 KEYED FUNCTION; FULL KEYING SERVICES AVAILABLE.

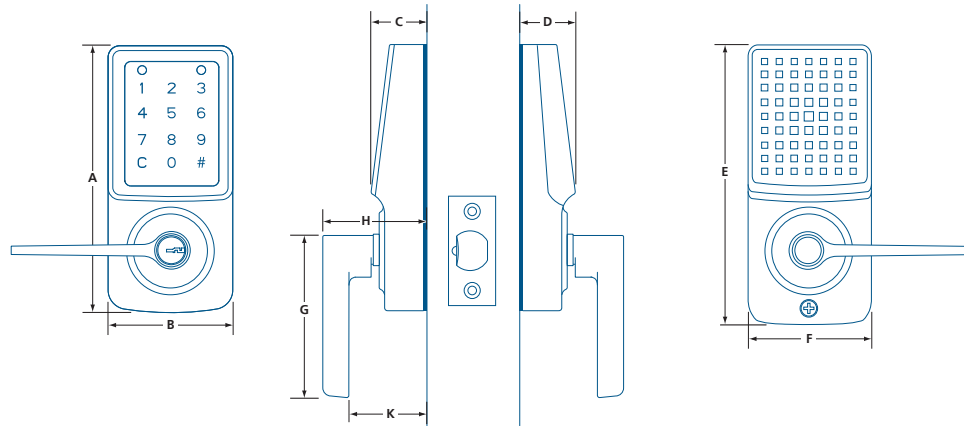
### OPTIONAL LEVERS



(C) Curved return

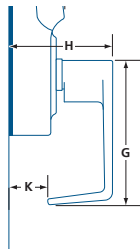
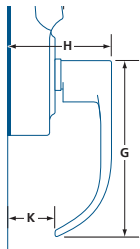


(H) Standard return



	A	B	C	D	E	F	G	H	K
<b>F425T JN (JUNO)</b>	6 <sup>1</sup> / <sub>8</sub> (155)	3 (76)	1 <sup>11</sup> / <sub>32</sub> (34)	1 <sup>1</sup> / <sub>4</sub> (32)	6 <sup>1</sup> / <sub>8</sub> (155)	2 <sup>29</sup> / <sub>32</sub> (74)	4 <sup>25</sup> / <sub>32</sub> (121.2)	2 <sup>27</sup> / <sub>32</sub> (72.5)	2 (50.8)

IN (MM)



	G	H	K
<b>F425T C</b>	4 <sup>11</sup> / <sub>16</sub> (118.9)	2 <sup>27</sup> / <sub>32</sub> (72.5)	1 <sup>3</sup> / <sub>32</sub> (27.7)
<b>F425T H</b>	4 <sup>3</sup> / <sub>16</sub> (106.2)	2 <sup>27</sup> / <sub>32</sub> (72.5)	1 (25.6)

IN (MM)

## PARTS & ACCESSORIES



### A-F425-PBC

Replacement battery cover for F425T.



### A-F425-PST

Replacement screen trim for F425T.



### A-PDMF-BU

Single frequency RFID (13.56MHz),  
Classic 1K key fob.

