



- | | |
|---|--|
| <p>Certifications</p> <ul style="list-style-type: none"> • Conforms to ANSI/BHMA A156.3, Grade 1 • cULus listed, up to 3hr Fire Exit • 5 Year limited warranty <p>Rail Assembly</p> <ul style="list-style-type: none"> • Stainless steel rail assembly • Field sizable <p>Handing</p> <ul style="list-style-type: none"> • Handed, field reversible <p>Door Size</p> <ul style="list-style-type: none"> • 30–38 x 84" (762–965 x 2134 mm) • 36–48 x 96" (914–1219 x 2438 mm) – option <p>Door Thickness</p> <ul style="list-style-type: none"> • 1 3/4" (45 mm) <p>Stile Width</p> <ul style="list-style-type: none"> • 4 1/2" (114 mm) minimum <p><i>Measured from door edge</i></p> <p>Projection</p> <ul style="list-style-type: none"> • 2 1/8" (54 mm) from door surface <p>Vertical Rods</p> <ul style="list-style-type: none"> • For 7' (2134 mm) doors <p>Latchbolts</p> <ul style="list-style-type: none"> • Top: stainless steel • Bottom: stainless steel | <p>Strikes</p> <ul style="list-style-type: none"> • Top: steel • Bottom: steel <p>Dogging</p> <p>—</p> <p>Hardware</p> <ul style="list-style-type: none"> • Machine and wood screws • Sex nut & thru-bolts <p>Electrical Options</p> <ul style="list-style-type: none"> • Electric latch retraction – option • Alarm kit – available* • Request to exit – available* <p><i>(* Sold separately, see 9500 Trims & Accessories)</i></p> <p>Trims</p> <ul style="list-style-type: none"> • Escutcheon trim – available <p><i>Sold separately, see 9500TEC</i></p> <p>Finish</p> <p>32D–Satin Stainless Steel</p> <p><i>Other finishes available by special order</i></p> |
|---|--|

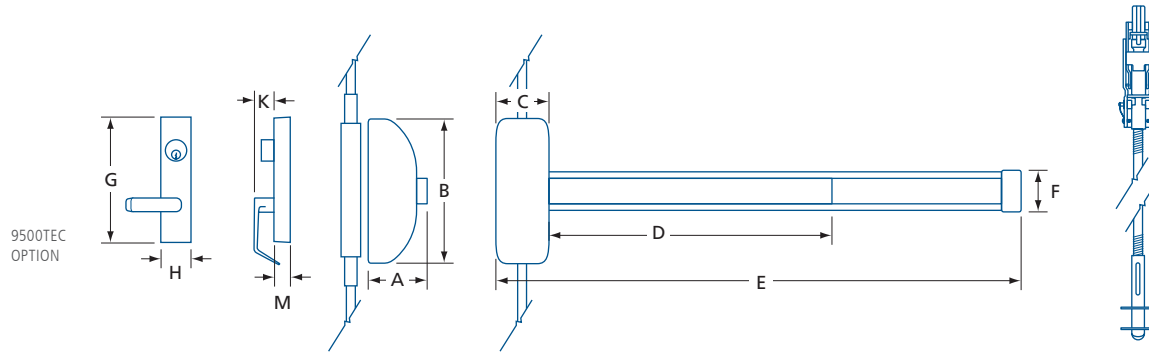
9500FC	37	LHR	–	32D
MODEL	SIZE ¹	HAND ²		FINISH

(1) SEE SELECTION GUIDE (2) LHR–LEFT HAND REVERSED, RHR – RIGHT HAND REVERSED

SELECTION GUIDE

MODEL		SIZE	DOOR SIZE ¹	DOGGING	FINISH	/CASE
9500FC	Fire Exit Hardware ² Concealed Vertical Rod	37	30-38x84 (762-965x2134)	—	32D	4
		48*	36-48x96 (914-1219x2438)	—	32D	4

(1) RECOMMENDED DOOR SIZE, IN (MM), FOR NON-STANDARD SIZES OR INSTALLATIONS PLEASE CONTACT. (2) FIRE EXIT HARDWARE MUST BE INSTALLED ON FIRE EXIT LABELLED DOORS.
(*) SPECIAL ORDER—PLEASE CONTACT



MODEL	A	B	C	D	E ¹	F	G	H	K	M
9500FC 37	2 1/8 (54)	8 5/8 (219)	2 5/8 (67)	21 13/16 (554)	32 1/2 (825)	2 1/8 (54)	8 1/2 (216)	2 5/16 (59)	1 1/2 (38)	7/8 (22)
9500FC 48				27 1/2 (698)	44 1/2 (1130)					

IN (MM) (1) CAN BE CUT TO SIZE - SEE PRODUCT INSTALLATION INSTRUCTIONS

9500TEC ESCUTCHEON TRIM



Trim	9500TEC70	9500TEC80
Function	Classroom	Storeroom
Finish	26D	26D
Lever	Standard return	Standard return
Cylinder ¹	Mortise	Mortise
Door Thickness	1 3/4 (44.5)	1 3/4 (44.5)
Warranty	1 Year limited	1 Year limited

IN (MM) (1) SOLID BRASS, 6-PIN CYLINDER, 1-1/4IN (32MM), SCHLAGE "C", 2 KEYS INCLUDED – KEYING SERVICES AVAILABLE

PARTS & COMPONENTS

See 9500 Trims & Accessories for additional items.

