

COMMERCIAL HINGES

FULL MORTISE HINGES

DOREX PRO 179 BALL BEARING TEMPLATE HINGE



- Standard weight, full mortise
- 5 knuckles, 2 ball bearings
- Steel or stainless steel hinge and pin
- Conforms to ANSI/BHMA A156.1
- ANSI/BHMA A156.7 template hole pattern

- Non-handed
- Flat tips with knock-out bottom
- Wood and undercut machine screws included

OPTIONS

- NRP: Non-removable pin
- A: NRP, radius corners: 1/4" (6.4mm)
- B: NRP, radius corners: 5/32" (4mm)

179	C32D	454	NRP
MODEL	FINISH	SIZE	OPTION

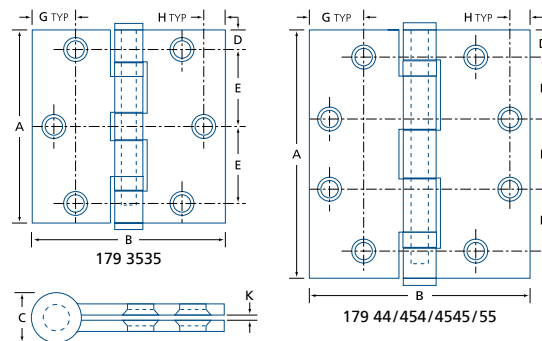
SIZE	INCHES	MM	GAUGE	HOLES	SCREWS INCLUDED		QTY ¹
					MACHINE	WOOD	
3535	3 1/2 x 3 1/2	88.9 x 88.9	0.123	6	#10-24 x 1/2	#9 x 1	3/60
44	4 x 4	101.6 x 101.6	0.130	8	#12-24 x 1/2	#12 x 1 1/4	3/60
454*	4 1/2 x 4	114.3 x 101.6	0.134	8	#12-24 x 1/2	#12 x 1 1/4	3/60
4545*	4 1/2 x 4 1/2	114.3 x 114.3	0.134	8	#12-24 x 1/2	#12 x 1 1/4	3/60
55*	5 x 5	127.0 x 127.0	0.146	8	#12-24 x 1/2	#12 x 1 1/4	3/36

(1) 3/60 : QUANTITY PER BOX / QUANTITY PER CASE. HINGES NOT SOLD INDIVIDUALLY. (*) FIRE RATING AS PER NFPA80 GUIDELINES.

BLR	CP	C1D	C15	C2G	C26	C26D	C3	C32D ¹	C5
DARK BRONZE	PRIME COATED	MATTE BLACK LACQUER	SATIN NICKEL	ZINC PLATED	POLISHED CHROME	SATIN CHROME	POLISHED BRASS	SATIN STAINLESS STEEL	ANTIQUE BRASS

OTHER SIZES AND FINISHES AVAILABLE BY SPECIAL ORDER, PLEASE CONTACT FOR DETAILS.

(1) ALL SATIN STAINLESS STEEL HINGES (C32D) ARE 18-8 STAINLESS STEEL AND ARE NRP BY DEFAULT.



MODEL	A	B	C	D	E	F	G	H	K
179 3535	3 1/2 (88.9)	3 1/2 (88.9)	1/2 (12.7)	23/64 (9.1)	125/64 (35.4)	—	11/16 (17.5)	23/64 (9.1)	1/16 (1.6)
179 44	4 (101.6)	4 (101.6)	9/16 (14)	1/2 (12.7)	1 (25.5)	31/32 (24.6)	3/4 (19.1)	3/8 (9.5)	1/16 (1.6)
179 454	4 1/2 (114.3)	4 (101.6)	19/32 (15.2)	1/2 (12.7)	1 1/8 (28.6)	1 15/64 (31)	1 (25.4)	3/8 (9.5)	1/16 (1.6)
179 4545	4 1/2 (114.3)	4 1/2 (114.3)	19/32 (15.2)	1/2 (12.7)	1 1/8 (28.6)	1 15/64 (31)	1 (25.4)	3/8 (9.5)	1/16 (1.6)
179 55	5 (127)	5 (127)	5/8 (15.9)	1/2 (12.7)	1 1/4 (31.8)	1 31/64 (37.7)	1 (25.4)	3/8 (9.5)	1/16 (1.6)

DIMENSIONS IN INCHES (MILLIMETRES) AS PER ANSI A156.7