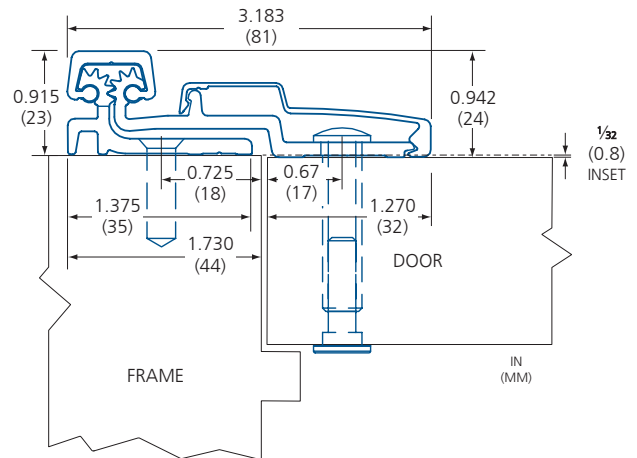


The CGH, Heavy Duty, Continuous Geared Hinges are recommended for doors 1¾" (44.5 mm) thick, 48" (1219 mm) wide and up to 400 lbs (182 kg) in weight. For high or moderate traffic applications.



- Conforms to ANSI/BHMA A156.26 Grade 1
- 10 Year limited warranty
- Extruded 6063 aluminum alloy continuous geared hinges with self-lubricating thrust bearings
- Full surface, heavy duty
- Swing clear application
- ½" (0.8 mm) door inset
- For doors 1¾" – 2 ¼" (44.5 – 57 mm) thick, up to 48" (1219 mm) wide
- For door frames at least 1¾" (44 mm) wide when aligned with door gap
- 400 lbs (182 kg) door weight maximum
- Doors heavier than 200 lbs (90.7 kg) require door and frame reinforcement
- Mounting hardware included for metal door and frame:
 - » #12-24x5/8" (16 mm) self-drilling/tapping TEK screws (undercut)
 - » 1/4-20 Sex bolt and machine screws for doors up to 2 ¼" (57 mm) thick

Failure to install the hinge according to supplied manufacturer's requirements and installation instructions, including not using provided fasteners and/or unauthorized field modification will void any warranty expressed or implied.



(*) Finishes may change over time as they are exposed to environmental conditions and wear.

MODEL	FINISH ¹	LENGTH	FASTENERS
CGHFSSC 83 HD-AL	Clear	83 (2108)	#12-24 TEK Screws (27) 1/4-20 Sex-bolts (19)
CGHFSSC 83 HD-DU	Dark bronze		
CGHFSSC 83 HD-MB	Matte black		
CGHFSSC 95 HD-AL	Clear	95 (2413)	#12-24 TEK Screws (29) 1/4-20 Sex-bolts (19)
CGHFSSC 95 HD-DU	Dark bronze		
CGHFSSC 95 HD-MB	Matte black		
CGHFSSC 120 HD-AL	Clear	120 (3048)	#12-24 TEK Screws (35) 1/4-20 Sex-bolts (23)
CGHFSSC 120 HD-DU	Dark bronze		
CGHFSSC 120 HD-MB	Matte black		

IN (MM) (1) ANODIZED ALUMINUM