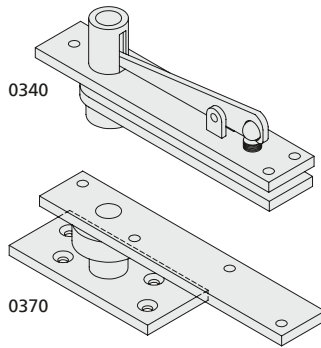


PIVOTS

CENTER HUNG

ABH CENTER HUNG PIVOT SET – HEAVY DUTY

ABH-0370



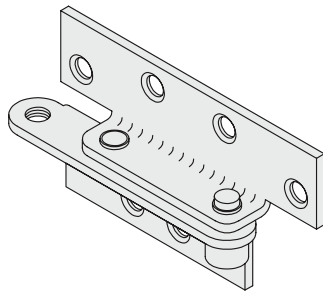
- Non-handed
- Maximum door load 500lbs (227 kg)
- Maximum door size 44 x 102" (1118 x 2591 mm) – interior doors only
- UL listed for use on 3-hour fire rated doors
- Conforms to ANSI C07032
- Heavy duty bearings
- Stainless steel base material
- Heavy duty top pivot (0340), header mount
- Bottom pivot (0370), floor mount
- Extended spindles available (special order)
- Top and bottom pivots available individually

Available in a variety finishes, models, and options
– please contact to order or visit www.abhmfg.com for details

ABH-0370	-32D
MODEL	FINISH

ABH REINFORCEMENT PIVOT – 3/4" OFFSET

ABH-0923



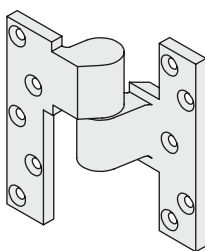
- Helps take load off failing top hinge and eliminate door sagging
- Surface mounts to the frame header and door face
- For 1/8" (3 mm) inset door with 3/4" (19 mm) offset
- Non-handed
- Maximum door load 300lbs (137 kg)
- Steel base material

OFFICIAL DISTRIBUTOR Available in a variety finishes, models, and options
– please contact to order or visit www.abhmfg.com for details

ABH-0923	-32D
MODEL	FINISH

ABH INTERMEDIATE PIVOT – 3/4" OFFSET

ABH-019



- Doors ranging from 60" tall should use one intermediate pivot. An additional intermediate pivot should be used for each additional 30" in door height. (ie, 90" tall door should use two intermediate pivots)
- Mortises into side jamb and hinge edge of door
- Handed
- For use with 3/4" (19 mm) offset pivot sets
- UL listed for use on 3-hour fire rated doors
- Helps maintain door alignment
- Heavy duty stainless steel needle bearings
- Stainless steel base material

Available in a variety finishes, models, and options
– please contact to order or visit www.abhmfg.com for details

ABH-019	LH	-32D
MODEL	HAND	FINISH

LH: LEFT HAND RH: RIGHT HAND

