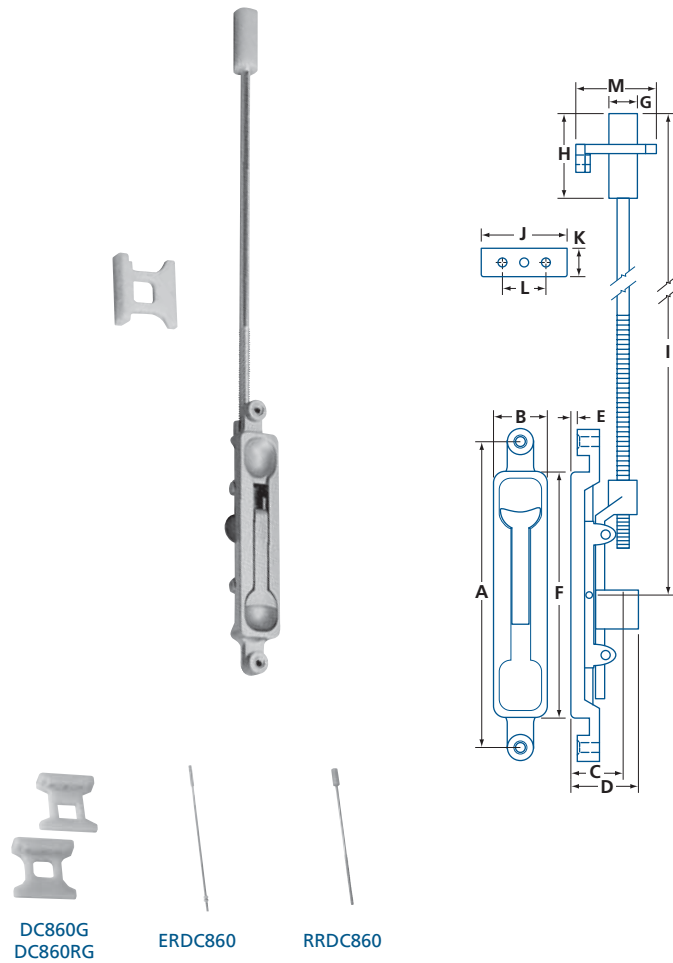


FLUSH BOLTS

GENERAL HARDWARE

MANUAL EXTENSION FLUSH BOLT

DC860, DC861



- Single bolt for aluminum doors
- $\frac{1}{8}$ " (3 mm) or $\frac{1}{4}$ " (6 mm) offset
- Throw: $\frac{5}{8}$ " (16 mm)
- Flush bolt faceplate with $\frac{5}{32}$ " (4 mm) radius corners
- Zinc die-cast and steel components
- Mounting hardware included: machine screws
- Supplied with threaded adaptor bushing and locking nuts
- Supplied with:
 - #RRDC860 12" (305 mm) Replacement rod
 - #ERDC860 12" (305 mm) $\frac{1}{4}$ -20 UNC extension rod
 - #DC860G / #DC860RG Nylon guides

MODEL	FINISH	A	B	C	D	E	F	G	H	I	J	K	L	M	/BOX
DC860	C20D, C28	$\frac{5}{4}$ (133)	$\frac{1\frac{3}{16}}$ (23.8)	$\frac{1\frac{3}{16}}$ (20.6)	$\frac{1\frac{1}{8}}$ (28.6)	$\frac{1}{8}$ (3.2)	$\frac{4\frac{1}{4}}$ (108)	$\frac{1}{2}$ (12.7)	$\frac{1}{2}$ (38)	12 (305)	$\frac{1}{2}$ (38)	$\frac{1}{2}$ (12.7)	$\frac{3}{4}$ (19.1)	$\frac{1\frac{3}{8}}$ (34.9)	10
DC861	C20D, C28	$\frac{5}{4}$ (133)	$\frac{1\frac{3}{16}}$ (23.8)	$\frac{1\frac{3}{16}}$ (20.6)	$\frac{1\frac{1}{8}}$ (28.6)	$\frac{1}{4}$ (6.2)	$\frac{4\frac{1}{4}}$ (108)	$\frac{1}{2}$ (12.7)	$\frac{1}{2}$ (38)	12 (305)	$\frac{1}{2}$ (38)	$\frac{1}{2}$ (12.7)	$\frac{3}{4}$ (19.1)	$\frac{1\frac{3}{8}}$ (34.9)	10

IN (MM)